

## DESCRIPTION

Slim LED Panel Light was designed as a slim LED light for new construction and remodel applications. It is offered in 2 size in 4" and 6", in square with a white finish. The product was engineered to have a smooth lumen distribution ranging from a clean 800 to a powerful 1200 lumens all Damp & Wet Location listed. The item can be specified in either 3000K, 4000K or 5000K special design for project used.



## Features:

- Latest led lighting technology offers the highest return on initial investment.
- Perfect light uniformity, up to 80LM/W.
- Triac dimmable driver.
- Limited 5-year warranty.
- Energy-saving lamps and lanterns, high lumen, perfect color temperature
- and high CRI characteristics.

## Specification:

### MATERIAL:

Die casting Al. frame + PC backside +  
PMMA LGP+PC diffuser

**DIMMING:** 100%-10% (Triac Dimming)

**Warranty:** Five-years limited warranty

## LED Driver:

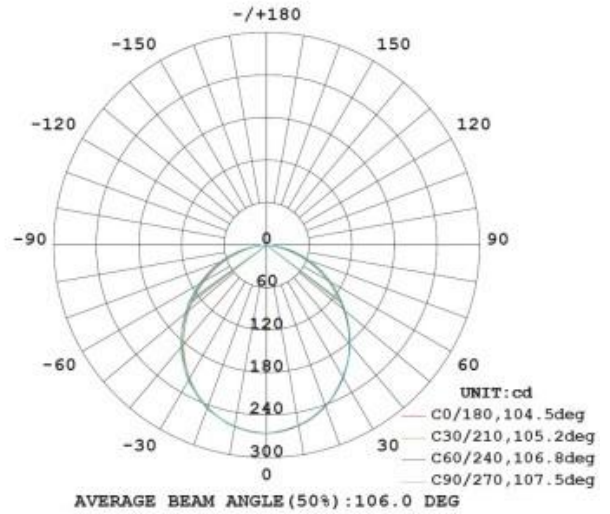
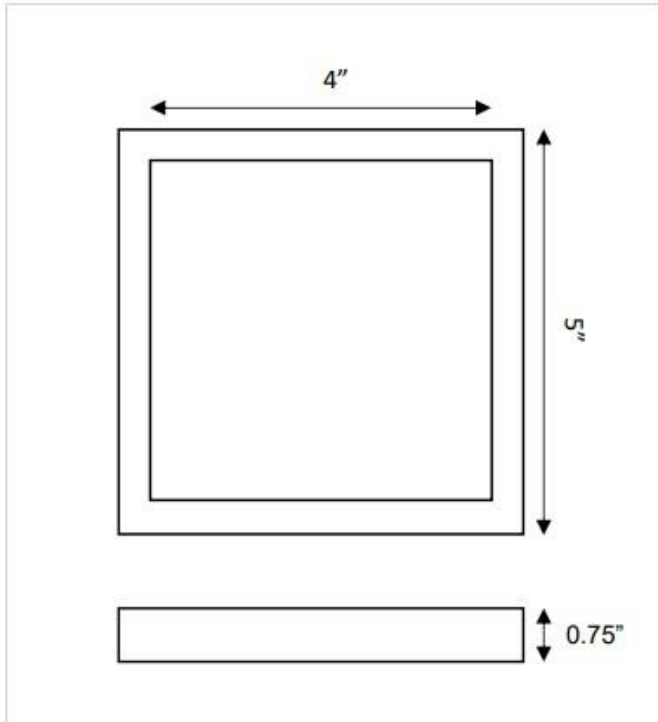
120V 50/60 Hz constant current dimmable driver  
provides high efficiency operation

If dimming is not required the fixture can be  
operated from a standard wall switch

## Certificate :

ETL, Energy Star, T24, FCC/IC.

**DIMENSIONS & PHOTOMETRICS:**



Ordering Example:

LI-LPF4-xx



**ORDERING INFORMATION**

Model	Watts	Lumen	Voltage	Color Temp.	CRI	Dimmable	TRIM
LI-LPFS4-xx LI-LPFS6-xx	10W 15W	800lm 1200lm	<u>120AC</u>	1 = 3000K 2 = 4000K 3 = 5000K	>80 >90	1 = Non Dimmable 2 = Dimmable	White, Brushed Nickel Bronze