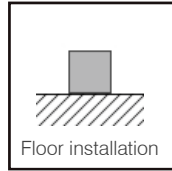
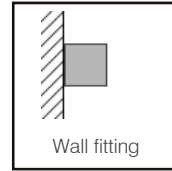


**DESCRIPTION**

ELENORA series family of area lighting evenly illuminate building facade, sports arenas and stadium lighting. Patented modern slim design is stylish, with better cooling system, and high lumen efficiency. These fixture are rated for wet location.



Ordering Example

LI-FLK-XYZ-YK-400-A-1-1-BR

--	--	--	--	--	--	--	--

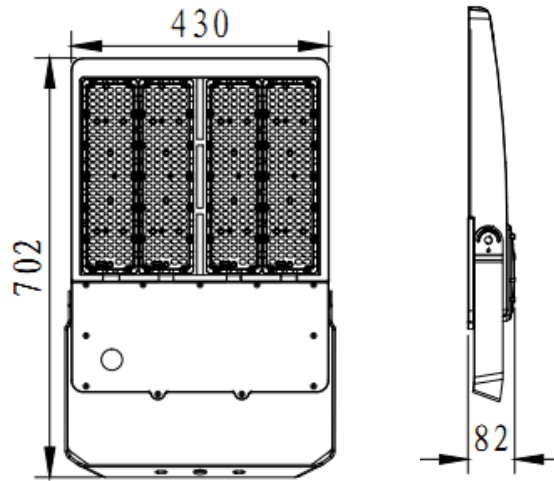
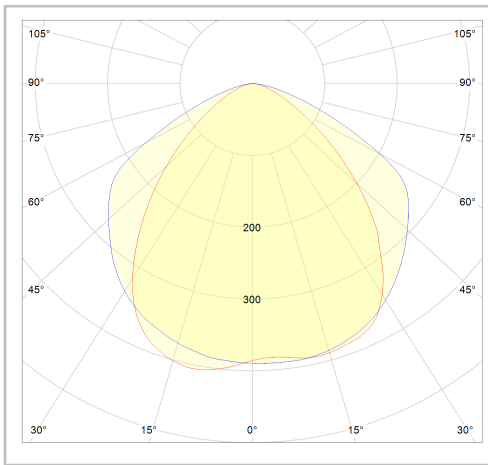
**ORDERING INFORMATION**

Model	Watts	Lumen	Optic	Color Temp.	CRI	Voltage	Finish color
LI-FLK400-XYZ	400	54000	A = 120 x 90	1 = 5000K	80	1-100 - 277V	BR
LI-FLK400-XYZH						2-200 - 480V	

Project name:



- Material: Sturdy powder coated aluminum housing. Salt mist resistance & anti aging. High thermal conductivity. High efficient reflector and diffuser. UV & Fire resistant high out put PC lenses.
- Led type: Phillips chips.
- Electrical: 120~ 277Vac, 50/60Hz Driver included.
- Power factor:  $\geq 90\%$
- Led efficiency: 135 lm/W
- Color temperature: 5000K
- Operation temperature:  $-20^{\circ}\text{C}$  to  $55^{\circ}\text{C}$
- Color Rendering Index (CRI):  $\geq 80$
- THD%:  $< 20\%$
- IP Rating: IP65



Project name:

