

Product Description:

Specific design innovative ultra-thin LED troffer Light is a design based on the ideal replacement of fluorescent troffer.

The IM-TR22/24 accepts 120-277VAC, and have a high lumen efficiency up to 125- 130Lm/W.

With well-distributed soft light, no any dark spot and special ultra-thin design.

This Luminaries is regarded as the leading of greening Lighting for commercial and industrial uses.

FEATURES:

- Durable 22 GA. cold roller steel housing provides strength and uniformity.
- Ultra-thin 1.77" (45mm) luminaire lightweight design for easy installations.
- Luminaires sides and ends are hemmed for safe, easy handling.
- Sealed lens to prevent ingress of insects.
- Unique luminaire design create perfect balance of both horizontal and vertical illumination.
- Optimized PC lens eliminates pixilation and delivers a low-glare ,diffused light distribution.
- ETL&DLC Premium Listed.
- Suitable for damp locations.
- Designed for indoor use.
- RoHS compliant. Consult factory for additional details.
- Meets FCC Part 15,subpart B Class A standers for conducted and radiated emissions.

Specification:

Housing:

Durable 22 ga.cold roller steel housing provides strength and uniformity.

Mounting:

Ceiling Recessed mount.

Lens:

Unique design create perfect balance of both horizontal and vertical illumination.

Finish:

Powder coat finish.

Electrical:

Input Voltage: 100V – 277V

Color Temperature: 4000K

CRI: ≥ 80

Life Time: 50,000 hours

LED Driver

100V - 277V 50/60 Hz constant current dimmable driver provides high efficiency operation
If dimming is not required the fixture can be operated from a standard wall switch

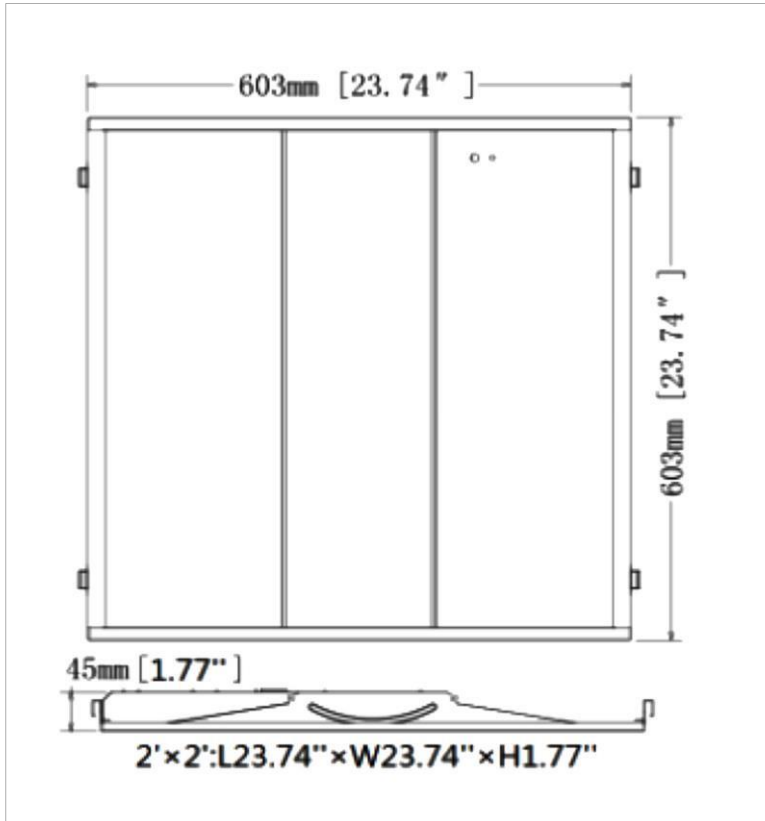
Certificate:

DLC, ETL, RoHS.

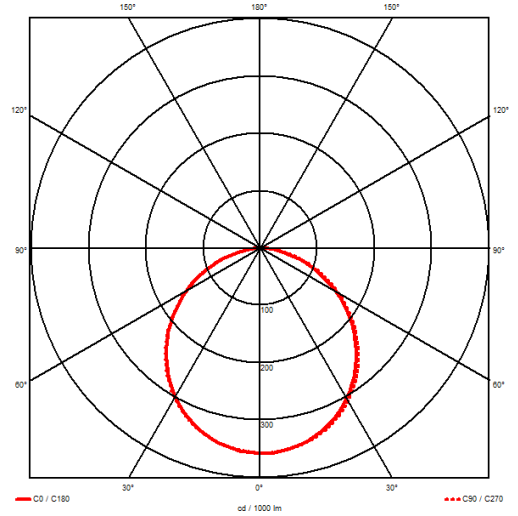
Warranty:

Five-years limited warranty.

DIMENSION:



PHOTOMETRICS:



Ordering Example: LI-TR22-WH-A



Series	Power /lm	Voltage	Color Temp.	Distribution	Controls	Finish
LI-TR22	40 = 40W /5200 lm	100V – 277V	1 = 4000K	General distribution	0-10V Dim.	White