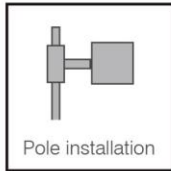
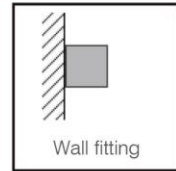


## DESCRIPTION

AURA 4th generation series is the most economical outdoor luminaire suitable for parking lot lighting, and street lighting. Individual engines with aluminum heatsinks provide easy thermal management.



--	--	--	--	--	--	--	--

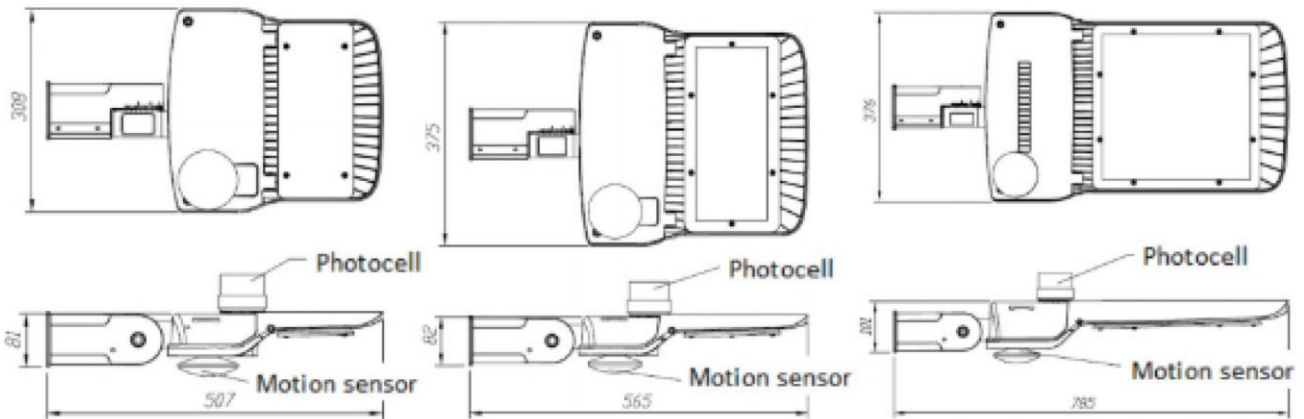
### ORDERING INFORMATION

Model	Watts	Lumen	Optic	Color Temp.	CRI	Optional	Finish color
LI-PLQ300W	300	35000	A = Type 3 (Asymmetric)	0 = 4000K 1 = 5000K	80	1 = Dimmable 2 = Occupancy Sensor 3 = Photocell	BR

Ordering Example: LI-PLQ300W

Project name:

- Material: Aluminum Die Casting. Salt mist resistance & anti aging. High thermal conductivity.
- Led type: Phillips Lummi LED'S LUXEON 3030 2D.
- Electrical: 120~ 277Vac, 50/60Hz Driver included.
- Power factor:  $\geq 95\%$
- Led efficiency: 130 lm/W
- Color temperature: 4000K, 5000K
- Operation temperature:  $-35^{\circ}\text{C}$  to  $55^{\circ}\text{C}$
- Color Rendering Index (CRI):  $\geq 75$
- THD%: 16.3-17.9
- IP Rating: IP65



## FIXTURE MOUNTING OPTIONS

M1 = Straight Arm Mount



M2 = Slip Fitter



M3 = U-Bracket Trunnion

