

DESCRIPTION

MATERIAL

Die-cast aluminum housing with power coated color.
No mercury and cool to the touch.

REFLECTOR - DIFFUSER

UV & Fire resistant high out put PC lenses.

LED TYPE

CREE LED'S.

Electrical

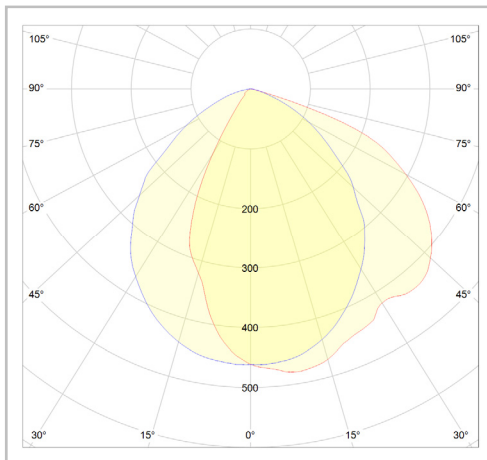
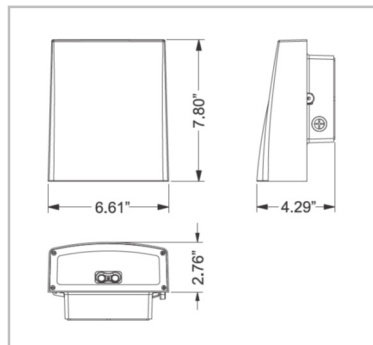
100-277V Driver included.

LED EFFICIENCY

105 lm/W

IP RATING

IP65



ORDERING INFORMATION

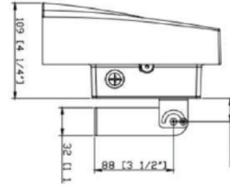
Model	Watts	Lumen	Optic	Color Temp.	CRI	Optional	Finish color
LI-WMB030-AA	30	2500	A = 120	0 = 4000K 1 = 5000K	80	1 = Dimmable 2 = Occupancy Sensor 3 = Photocell	BR

Ordering Example:
LI-WMB030-AA-30-A-1-1-BR

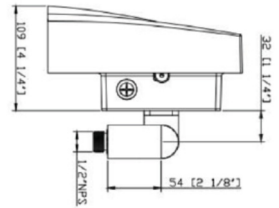
Project name:

MOUNTING ACCESSORIES

M1 = Yoke Mounted



M2 = Knuckle Mounted



Ordering Example:
 LI-WMB030-AA-30-A-1-1-BR-M1