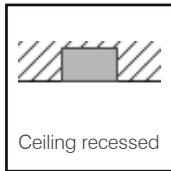


DESCRIPTION

GAS STATION LED series canopy light provides increased energy savings and uses CREE chip for high performance and boasts 50,000 lifetime hours, a 5 year warranty, and a color temperature of 5000 K
Sturdy aluminum housing and anti-static powder coated paint.
High thermal conductivity. Quick and easy installation



--	--	--	--	--	--	--	--

ORDERING INFORMATION

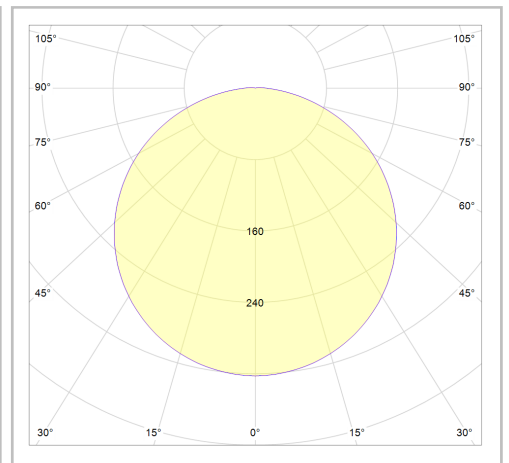
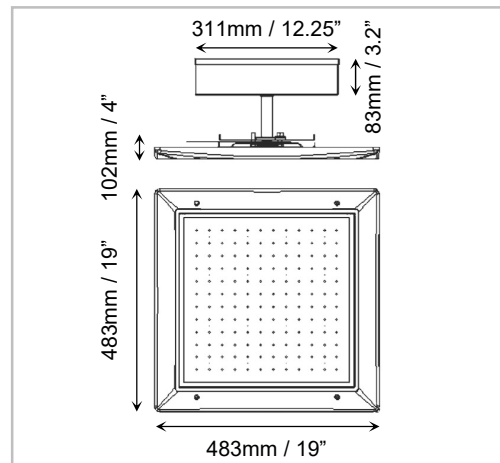
Model	Watts	Lumen	Optic	Color Temp.	CRI	Optional	Finish color
LI-CL120-AA	120	12600	A = 120	1 = 4000K 2 = 5000K	80	1 = Dimmable	WH

Ordering Example:
IL-CL120AA-120-A-1-1-WH

Project name:



- Material: Aluminum alloy housing. that is corrosion resistant.
- Equipped with integral cooling fins. The lens contains high impact heat resistant polycarbonate frosted lens, therefore it won't break due to heat or stress.
- Led type: Phillips Lummi LED'S LUXEON 3030 2D.
- Electrical: 120~ 277Vac, 50/60Hz Driver included.
- Power factor: $\geq 95\%$
- Led efficiency: 130 lm/W
- Color temperature: 4000K, 5000K
- Operation temperature: -5°C to 55°C
- Color Rendering Index (CRI): ≥ 84
- THD%: $< 13\%$
- IP Rating: IP65



Project name:

