

DESCRIPTION

MATERIAL

die cast aluminum housing that is corrosion resistant.
Equipped with integral cooling fins.

REFLECTOR - DIFFUSER

The lens contains high impact heat resistant polycarbonate frosted lens, therefore it won't break due to heat or stress.



LED TYPE

Philips chip LEDs.

Electrical

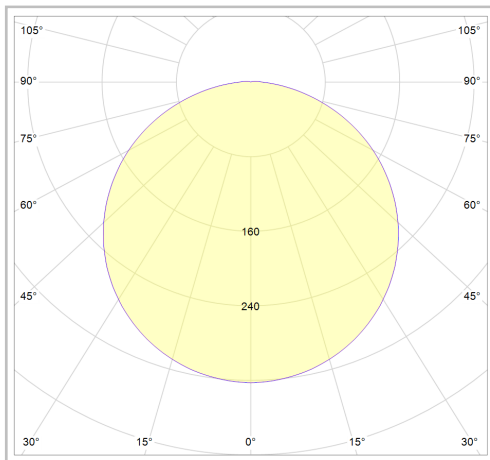
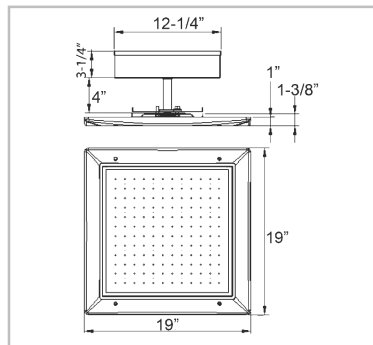
100-277V Driver included.

LED EFFICIENCY

130 lm/W

IP RATING

IP65



ORDERING INFORMATION

Model	Watts	Lumen	Optic	Color Temp.	CRI	Optional	Finish color
IL-CL120AA	120	12600	A = 120	0 = 4000K 1 = 5000K	84	1 = Dimmable	WH

Ordering Example:
IL-CL120AA-120-A-1-1-WH

Project name: