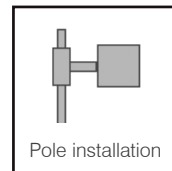
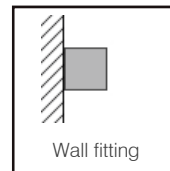


DESCRIPTION

LENORA series is a combination of slim design modern style for illuminating urban roads and parking lots. We used the latest solid state technology from Philips for a long life illuminance and high efficiency. All our outdoor fixtures are rated for wet locations and offers variety of mounting options.



--	--	--	--	--	--	--	--

ORDERING INFORMATION

Model	Watts	Lumen	Optic	Color Temp.	CRI	Optional	Finish color
LI-PLF150-XYZ	150	17600	A = 120 x 90	0 = 4000K	83	1 = Dimmable 2 = Photocell	BR
	150	17600	B = 150 x 105	1 = 5000K	83		

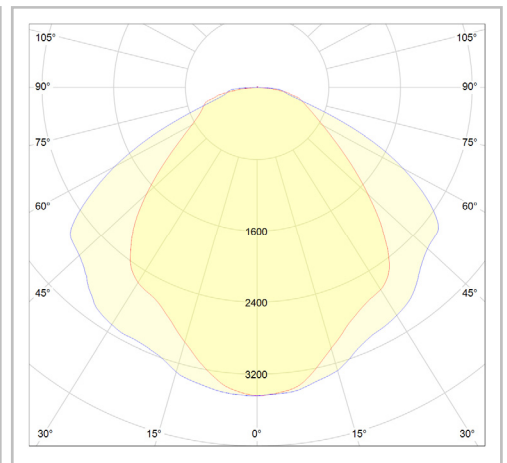
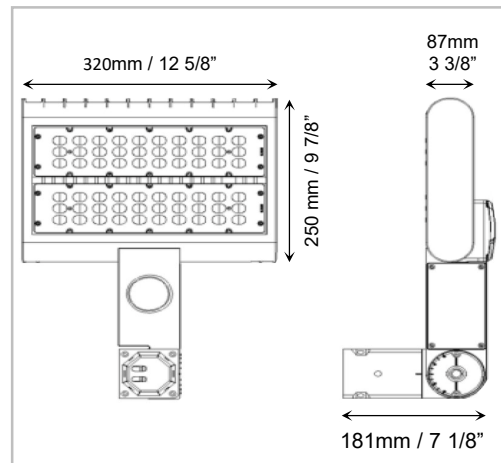
Ordering Example:

LI-PLF150-XYZ-150-A-1-1-BR

Project name:



- Material: ACD12 Aluminum Heat Sink. Sturdy powder coated aluminum housing. Salt mist resistance & anti aging. High thermal conductivity. UV & Fire resistant high out put PC lenses.
- Bug rating: B3-U2-G3.
- Led type: Phillips Lummi LED'S LUXEON 3030 2D.
- Electrical: 120~ 277Vac, 50/60Hz Driver included.
- Power factor: $\geq 90\%$
- Led efficiency: 130 lm/W
- Color temperature: 4000K, 5000K
- Operation temperature: -35°C to 50°C
- Color Rendering Index (CRI): 85
- THD%: 16.28-17.71
- IP Rating: IP65



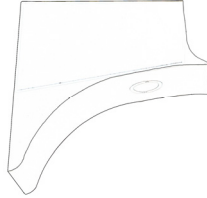
Project name:



LENORA

FIXTURE MOUNTING OPTIONS

M1 = Straight Arm Mount



M2 = Slip Fitter



Ordering Example:
LI-PLF150-XYZ-150-A-1-1-BR-M1

Project name:

