

DESCRIPTION

**MATERIAL**

High pressure die casting housing.  
Anti-static powder coated paint.

**REFLECTOR - DIFFUSER**

High efficient reflector and diffuser.

**LED TYPE**

Philips chips.

**Electrical**

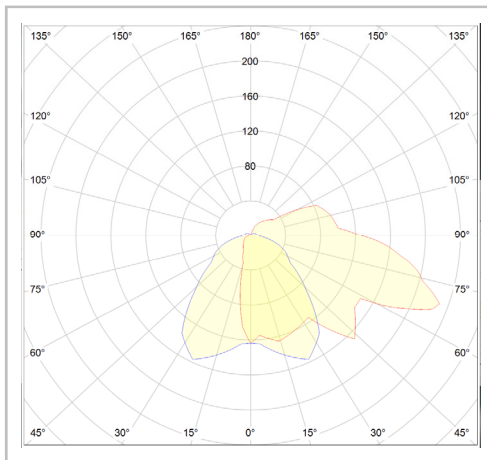
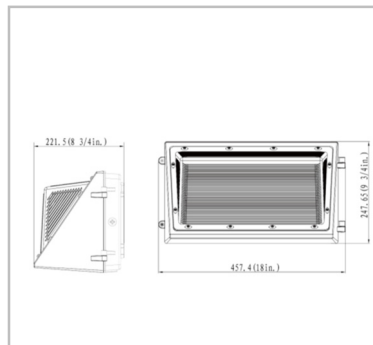
100-277V Driver included.

**LED EFFICIENCY**

105 lm/W

**IP RATING**

IP65



ORDERING INFORMATION

Model	Watts	Lumen	Optic	Color Temp.	CRI	Optional	Finish color
LI-WMG120-XYZ	120	12000	A = 120	0 = 4000K 1 = 5000K	80	1 = Dimmable	BR

Ordering Example:

LI-WMG120-AA-120-A-1-0-BR

Project name: