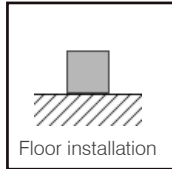
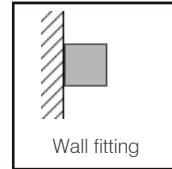


DESCRIPTION

ALVA series family of area lighting evenly aluminate building facade, sports arenas and stadium lighting. Patented modern slim design is stylish, with better cooling system, and high lumen efficiency. These fixture are rated for wet location and are offered in various mounting options.



--	--	--	--	--	--	--	--

ORDERING INFORMATION

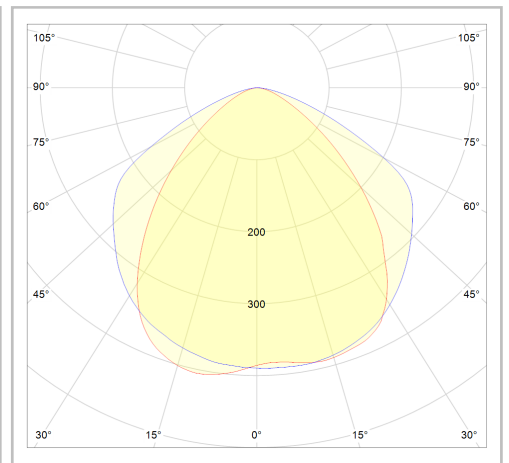
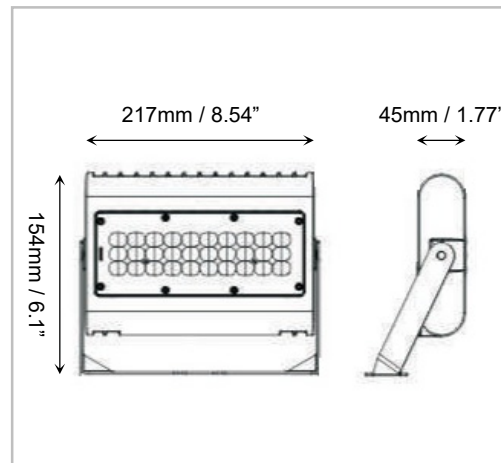
Model	Watts	Lumen	Optic	Color Temp.	CRI	Optional	Finish color
LI-FLDF050-XYZ	50	4900	A = 120 x 90	1 = 5000K	80	1 = Dimmable	BR

Ordering Example:
LI-FLDF050-XYZ-YK-50-A-1-1-BR

Project name:



- Material: Sturdy powder coated aluminum housing. Salt mist resistance & anti aging. High thermal conductivity. High efficient reflector and diffuser. UV & Fire resistant high out put PC lenses.
- Led type: Phillips chips.
- Electrical: 120~ 277Vac, 50/60Hz Driver included.
- Power factor: $\geq 90\%$
- Led efficiency: 130 lm/W
- Color temperature: 5000K
- Operation temperature: -20°C to 55°C
- Color Rendering Index (CRI): ≥ 80
- THD%: $< 20\%$
- IP Rating: IP65



Project name:

