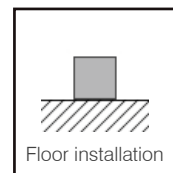




DESCRIPTION

LED Bollard is an economical and energy efficient choice for lighting walkways, plazas and other pedestrian areas in commercial and residential applications as well as any other location requiring a low mounting height light source with fully cutoff illumination.



--	--	--	--	--	--	--	--

ORDERING INFORMATION

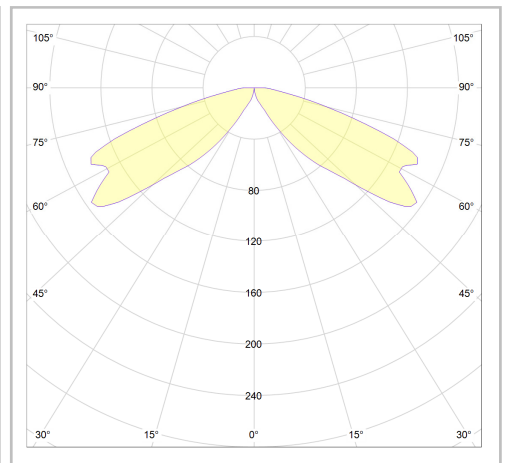
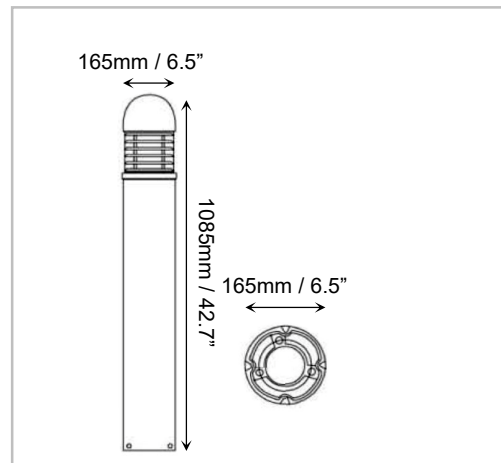
Model	Watts	Lumen	Optic	Color Temp.	CRI	Optional	Finish color
L1-BLDB035-L	35	2975	A = 360	1 = 3000K 2 = 4000K 3 = 5000K	82	1 = Dimmable	BR

Ordering Example:
L1-BLDB035-L-35-A-1-BR

Project name:



- Stainless steel tubing, machined top housing and base. Machined S.S top housing assembly removable in one piece for lamp replacement. Stainless steel cone reflector and top downlight reflector.
- Led type: Cree chips.
- Electrical: 120~ 277Vac, 50/60Hz Driver included.
- Power factor: $\geq 95\%$
- Led efficiency: 85 lm/W
- Color temperature: 4000K, 5000K, 6000K
- Operation temperature: -20°C to 50°C
- Color Rendering Index (CRI): ≥ 80
- THD%: $< 20\%$
- IP Rating: IP65



Project name:

