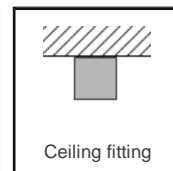
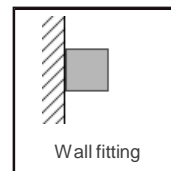


DESCRIPTION

LOWBAY series low profile garage and canopy light provides increased energy savings and uses Philips chips for high performance and boasts 50,000 lifetime hours, a 5 year warranty, and a color temperature of 5000 K.

Sturdy Die cast low profile and anti-static powder coated paint. Quick and easy installation.



| | | | | | | | |
|--|--|--|--|--|--|--|--|
| | | | | | | | |
|--|--|--|--|--|--|--|--|

ORDERING INFORMATION

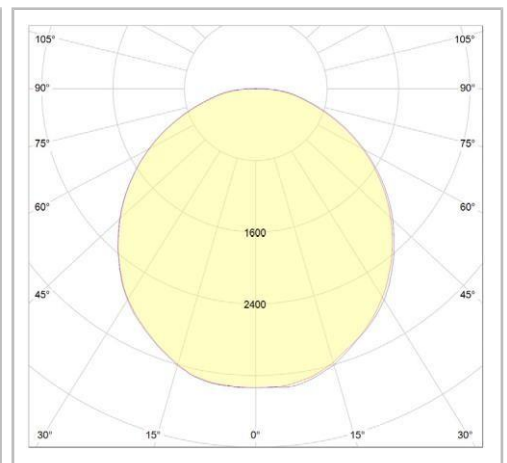
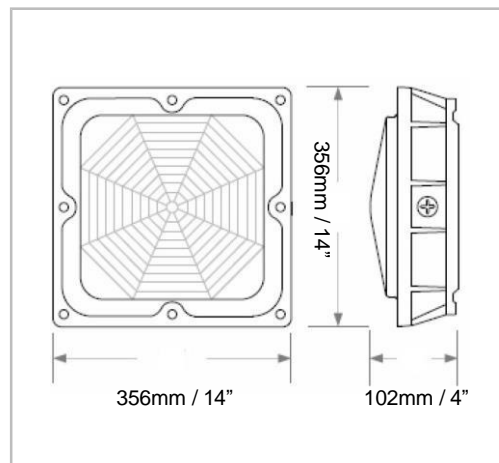
| Model | Watts | Lumen | Optic | Color Temp. | CRI | Optional | Finish color |
|---------------|-------|-------|---------|------------------------|-----|-------------|--------------|
| LI-CLC080XYZZ | 80 | 8010 | A = 120 | 1 = 4000K 2 = 5000K | 84 | 1 =Dimmable | BR |

Ordering Example:
LI-CLC080XYZZ-80-A-1-1-BR

Project name:



- Material: Die-cast Aluminum, solid state, high shock & vibration resistant. Highly durable and vandal resistant.
- Led type: Philips chip LEDs.
- Electrical: 120- 277Vac, 50/60Hz Driver included.
- Power factor: $\geq 95\%$
- Led efficiency: 112 lm/W
- Color temperature: 4000K, 5000K
- Operation temperature: -40°C to 40°C
- Color Rendering Index (CRI): ≥ 84
- THD%: $< 20\%$
- IP Rating: IP65



Project name:

