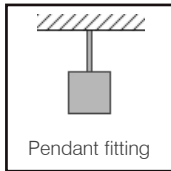


DESCRIPTION

LUCIA round high bay led series is a luminaire with an innovative design where the esthetic has been optimized for using it both high bay or flood light, getting a high performance in strength and reliability. With a huge luminous efficiency because of its transparent polycarbonate closing, the body made in aluminum injection and the quality of the electronic components. This luminaire has the great flexibility to adapt to any surface



--	--	--	--	--	--	--	--

ORDERING INFORMATION

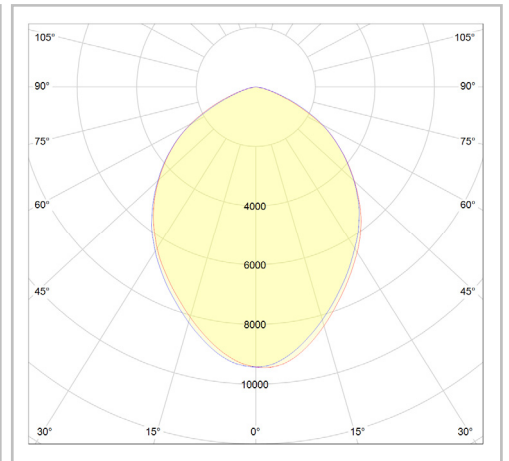
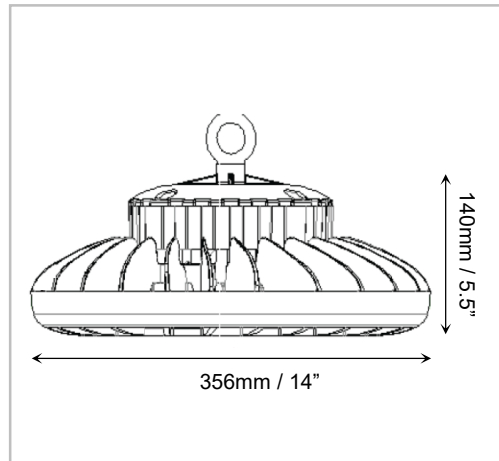
Model	Watts	Lumen	Optic	Color Temp.	CRI	Optional	Finish color
LI-HBC150-XYZ	150	19280	A = 120	1 = 4000K 2 = 5000K	84	1 = Dimmable	BR

Ordering Example:
LI-HBC150-XYZ-150-A-1-1-BR

Project name:



- Material: Die-cast Aluminum housing. Polycarbonate lens.
- Led type: Phillips Lummi LED'S LUXEON 3030 2D.
- Electrical: 120~ 277Vac, 50/60Hz Driver included.
- Power factor: $\geq 95\%$
- Led efficiency: 130 lm/W
- Color temperature: 4000K, 5000K
- Operation temperature: -20°C to 40°C
- Color Rendering Index (CRI): ≥ 80
- THD%: $< 20\%$
- IP Rating: IP65



Project name:

