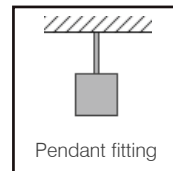


DESCRIPTION

LINEAR HIGH BAY LED series is our new LED High Bay fixture for a wide variety of applications and mounting heights. Precision-designed optics, multiple distributions, and a choice of lumen outputs and color temperatures make the energy-efficient LINEAR HIGH BAY LED the ideal solution for industrial, commercial and other high bay applications.



--	--	--	--	--	--	--	--

ORDERING INFORMATION

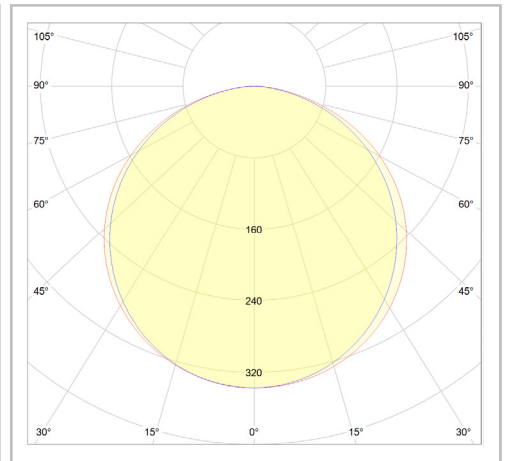
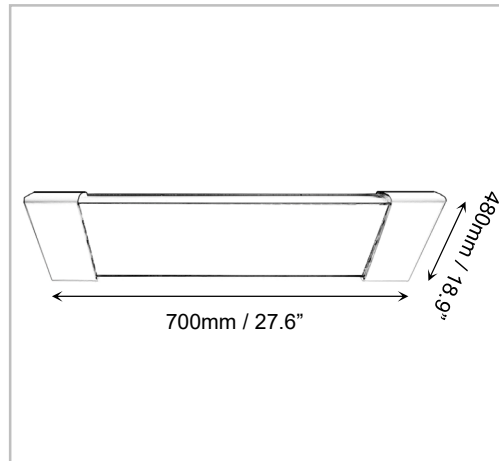
Model	Watts	Lumen	Optic	Color Temp.	CRI	Optional	Finish color
LI-LIN-0604	100	12220	A = 120	1 = 4000K 2 = 5000K	84	1 = Dimmable	WH

Ordering Example:
LI-LIN-0604-100-A-1-1-WH

Project name:



- Material: Die-cast Aluminum housing. Polycarbonate lens.
- Led type: Phillips Lummi.
- Electrical: 120~ 277Vac, 50/60Hz Driver included.
- Power factor: $\geq 95\%$
- Led efficiency: 130 lm/W
- Color temperature: 4000K, 5000K
- Operation temperature: -20°C to 50°C
- Color Rendering Index (CRI): ≥ 80
- THD%: $< 20\%$
- IP Rating: IP42



Project name:

